

ECT222

FM VIDEO AND 2 CHANNEL FM AUDIO BI-DIRECTIONAL OPTICAL LINK



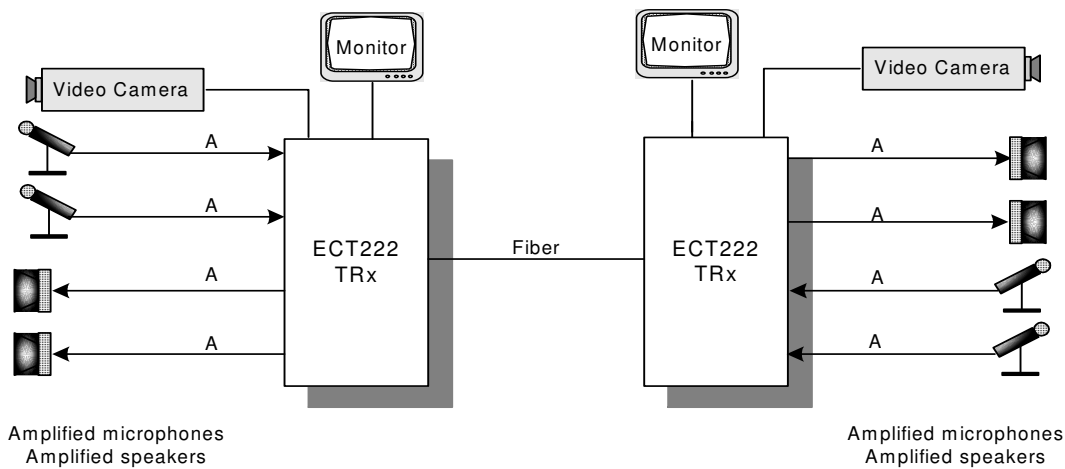
FEATURES

- * CCTV Professional Video & Audio Quality
- * NTSC, PAL, SECAM Compatible
- * Screw Terminal Block (3 pos. Plug) Audio Connectors
- * ST, FC or SC Optical Connector
- * Balanced Video Input
- * Up to 5 km/3 mi on 850nm multimode;
- * Up to 18 km/11 mi on 1300nm multimode;
- * Up to 54 km/34 mi on 1310nm singlemode;
- * Up to 90 km/56 mi on 1550nm singlemode;
- * No User Adjustments
- * Status Monitor LEDs

APPLICATIONS

- * Videoconferencing and Media Broadcasting
- * Security and Surveillance
- * Campus Media Retrieval/Distance Learning
- * Studio Applications

LAYOUT DIAGRAM



SPECIFICATIONS

Video Performance

Video Input Impedance	75 Ohm, balanced
Video In/Output Voltage	1.0V p-p typ, 1.5V max
Frequency Response @ 1dB	10Hz to 6.5MHz
Differential Gain (10-90% APL)	< 3%
Differential Phase (10-90% APL)	< 3°
Signal to Noise Ratio	67dB (weighted)

Audio Performance

Audio Input Impedance	600 Ohm or 10K, balanced or unbalanced
Audio Input Level	up to +8 dBm* or up to +18 dBm
Audio Output Level	up to +8 dBm @ 600 Ohm or 10K balanced or unbalanced up to +18dBm @ 10K, balanced
Frequency Response @ 3dB	20Hz to 20kHz
Distortions	< 1.5%
Signal to Noise Ratio	> 64dB (weighted)**

* with normal level 0 dBm;

** measured with 1km, 62.5μ cable.

General Parameters

Operating Temperature	- 30°C to +70°C
Storage Temperature	- 40°C to +85°C
Operating Humidity	0 to 95% non-condensing
Weight (module)	400g (14oz)
Weight (1 slot card)	370g (13oz)
Dimensions (module)	156mm (6.15") L, 84mm (3.3") W, 62mm (2.42") H
Power (optional)	
option 1	6 - 7 VDC, 0.45A
option 2	10 -15 VDC, 0.38A
Mean Time Between Failures (MTBF)	>100,000Hrs.

Optical Performance

Operating Wavelength	850nm	1300nm		1310 and/or 1550nm
Transmitter Optical Source	Laser	LED		Laser
Fiber Type	50/125μ or 62.5/125μ	50/125μ	62.5/125μ	Singlemode
Transmitter Output Power (with +/- 1dBm variation)	-7 dBm	-17 dBm	-14 dBm	-7 dBm
Receiver Sensitivity (2 fiber)	-30 dBm	-34 dBm		-35 dBm
Optical Loss Budget (2 fiber)	23 dB	16 dB	19 dB	28 dB
Receiver Sensitivity (1 fiber)	-29 dBm @ 850nm			-34 dBm
Optical Loss Budget (1 fiber)	22 dB @ 850nm			27 dB

ORDERING INFORMATION

222E-VAX-M(P)YZ – standalone module

222E-VAX-CYZ – rack card*

- E** = **M** for multimode
- = **M(13)** for multimode 1300nm only
- = **S** for single mode
- = **S(15)** for single mode 1550nm only
- P** = **12** for 10-15VDC power option
- Y** = **1, 2** for number of fibers
- Z** = **FC** connector
- = **ST** connector
- = **SC** connector

* Compatible with USR series chassis



Elcommtech Corp. 2620 Ocean Parkway, Suite 4H, Brooklyn, NY 11235
 Tel (718) 743-2869 • Fax (718)648-3642 • E-mail sales@elcommtech.com
<http://www.elcommtech.com>