

ECT122 FM VIDEO AND TWO CHANNEL BI-DIRECTIONAL FM AUDIO OPTICAL LINK



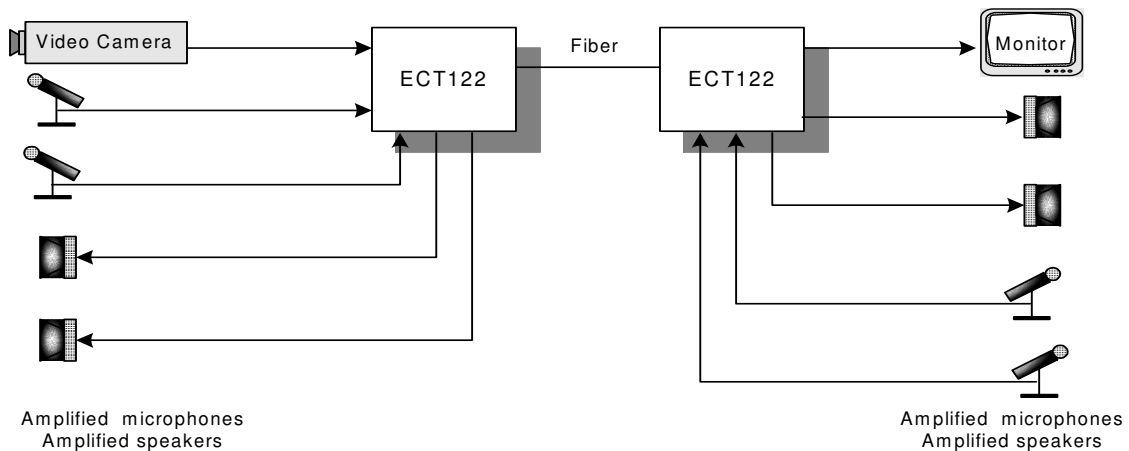
FEATURES

- * CCTV Professional Video & Audio Quality
- * NTSC, PAL, SECAM Compatible
- * Balanced Video Input
- * BNC I/O Video Connector
- * Screw Terminal Block (3 pos. Plug) Audio Connectors
- * ST, FC, SC Optical Connector
- * Video and 2 Duplex Channels Audio
- * No User Adjustments
- * Status Monitor LEDs

APPLICATIONS

- * Security and Surveillance
- * Video Teleconferencing
- * Campus Media Retrieval/Distance Learning
- * Telemedicine

LAYOUT DIAGRAM



SPECIFICATIONS

Video Performance

Video Input Impedance	75 Ohm, balanced
Video In/Output Voltage	1.0V p-p typ, 1.5V max
Frequency Response @ 1dB	10Hz to 6.5MHz
Differential Gain (10-90% APL)	< 4% typ
Differential Phase (10-90% APL)	< 4° typ
Signal to Noise Ratio	62dB (weighted)**

Audio Performance

Audio Input Impedance	600 Ohm or 10K, balanced or unbalanced
Audio Input Level	up to +8 dBm* or up to +18 dBm
Audio Output Level	up to +8 dBm @ 600 Ohm or 10K balanced or unbalanced up to +18dBm @ 10K, balanced
Frequency Response @ 3dB	20Hz to 20kHz
Distortions	< 1.5%*
Signal to Noise Ratio	> 62dB (weighted)**

* with normal level 0 dBm;

** measured with 1km/8-10µ SM cable and 100m/62.5µ MM cable

General Parameters

Operating Temperature	- 30°C to +70°C
Storage Temperature	- 40°C to +85°C
Operating Humidity	0 to 95% non-condensing
Weight	670g (1.5lb)
Dimensions (module)	156mm (6.15") L, 84mm (3.3") W, 62mm (2.42") H
Power (optional)	
option 1	6 - 7 VDC, 0.45A
option 2	10 -15 VDC, 0.3A
Mean Time Between Failures (MTBF)	>100,000Hrs.

Optical Performance

Operating Wavelength	850nm	1300nm		1310 and/or 1550nm
Transmitter Optical Source	Laser	LED		Laser
Fiber Type	50/125µ or 62.5/125µ	50/125µ	62.5/125µ	Singlemode
Transmitter Output Power (+/- 1dBm)	-7 dBm	-17 dBm	-14 dBm	-7 dBm
Receiver Sensitivity (2 fiber)	-29 dBm	-32 dBm		-33 dBm
Optical Loss Budget (2 fiber)	22 dB	15 dB	18 dB	26 dB
Receiver Sensitivity (1 fiber)	-28 dBm @ 850nm			-32 dBm
Optical Loss Budget (1 fiber)	21 dB @ 850nm			25 dB

ORDERING INFORMATION

122E-VU/AX-M(P)YZ – standalone module

122E-VU/AX-CYZ – rack card*

- E** = **M** for multimode
- = **M(13)** for multimode 1300nm only
- = **S, SP**** for single mode 1310nm
- = **S(15), S(15)P**** for single mode 1550nm
- U** = **T** for video transmitter, **R** for receiver
- P** = **12** for 10-15VDC power option
- Y** = **1,2** for number of fibers
- Z** = **FC** connector
- = **ST** connector
- = **SC** connector

* Compatible with USR series chassis

** For high power (0 dBm) laser source options.

Note: The specifications are subject to change without notice.



Elcommtech Corp. 2620 Ocean Parkway, Suite 4H, Brooklyn, NY 11235
 Tel (718) 743-2869 • Fax (718)648-3642 • E-mail sales@elcommtech.com
<http://www.elcommtech.com>