

ECT120 FM VIDEO AND TWO CHANNEL FM AUDIO OPTICAL LINK



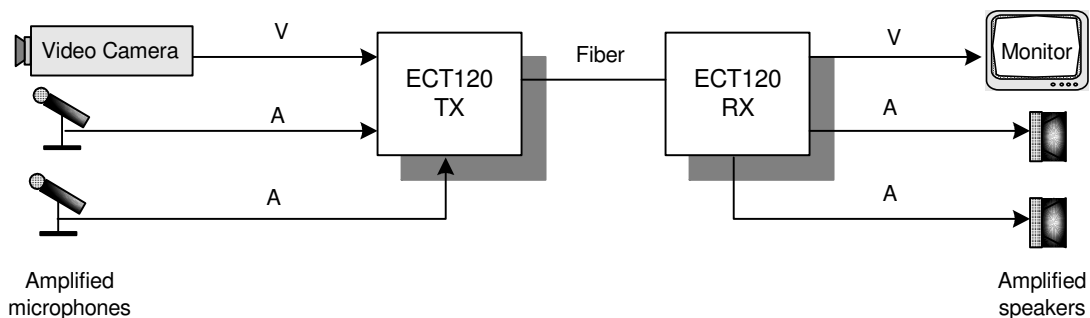
FEATURES

- * CCTV Professional Video & Audio Quality
- * NTSC, PAL, SECAM Compatible
- * Balanced Video Input
- * BNC I/O Video Connector
- * Screw Terminal Block (3 pos. Plug) Audio Connectors
- * ST, FC, SC Optical Connector
- * Video and 2 Channels Audio
- * No User Adjustments
- * Status Monitor LEDs

APPLICATIONS

- * Security and Surveillance
- * Video Teleconferencing
- * Campus Media Retrieval/Distance Learning
- * Telemedicine

LAYOUT DIAGRAM



SPECIFICATIONS

Video Performance

Video In/Output Impedance	75 Ohm, balanced
Video In/Output Voltage	1.0V p-p typ, 1.5V max
Video Bandwidth @ 1dB	10Hz to 6.5MHz
Differential Gain (10-90% APL)	< 3%
Differential Phase (10-90% APL)	< 3°
Signal to Noise Ratio	67dB (weighted)*

Audio Performance

Audio Input Impedance	600 Ohm or 10K, balanced or unbalanced
Audio Input Level	up to +8 dBm* or up to +18 dBm
Audio Output Level	up to +8 dBm @ 600 Ohm or 10K balanced or unbalanced up to +18dBm @ 10K, balanced
Frequency Response @ 3dB	20Hz to 20kHz
Distortions	< 1.5%*
Signal to Noise Ratio	> 64dB (weighted)*

* measured as per RS-250C @ 100m for multimode and 1km for single mode optical cable.

General Parameters

Operating Temperature	- 30°C to +70°C
Storage Temperature	- 40°C to +85°C
Operating Humidity	0 to 95% non-condensing
Weight (module)	400g (14oz)
Weight (1 slot card)	370g (13oz)
Dimensions (module)	156mm (6.15") L, 84mm (3.3") W, 62mm (2.42") H
Power (optional)	
option 1	6 - 7 VDC, 0.25A max
option 2	10 - 15 VDC, 0.18A max
Mean Time Between Failures (MTBF)	>100,000Hrs.

Optical Performance

Operating Wavelength	850nm		1300nm		1310 or 1550nm
Transmitter Optical Source	Laser		LED		Laser
Fiber Type	50/125μ	62.5/125μ	50/125μ	62.5/125μ	8 - 9/125μ
Transmitter Output Power (+/- 1 dBm)	-7 dBm		-17 dBm	-14 dBm	-7 dBm or 0 dBm for SP version
Receiver Sensitivity	-29 dBm		-32 dBm		-33 dBm
Optical Loss Budget	22 dB		15 dB	18 dB	26 dB

ORDERING INFORMATION

120E-VAU-M(P)1Z – standalone module

120E-VAU-C1Z – rack card*

- E** = **M** for multimode
- = **M(13)** for multimode 1300nm only
- = **S, SP**** for single mode 1310nm
- = **S(15), S(15)P**** for single mode 1550nm
- U** = **T** for transmitter, **R** for receiver
- P** = **12** for 10-15VDC power option
- Z** = **FC, FC/APC** connector
- = **ST** connector
- = **SC, SC/APC** connector (for module only)

* Compatible with USR series chassis;

** For high power (0 dBm) laser source options.

Note: The specifications are subject to change without notice.



Elcommtech Corp. 2620 Ocean Parkway, Suite 4H, Brooklyn, NY 11235
 Tel (718) 743-2869 • Fax (718)648-3642 • E-mail sales@elcommtech.com
<http://www.elcommtech.com>