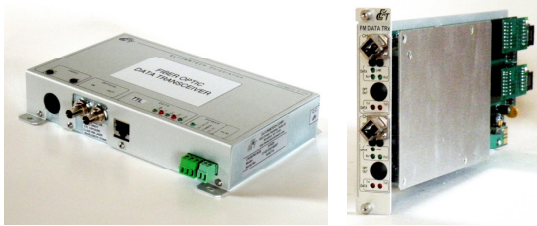


ECT014 TWO/FOUR CHANNEL TTL/CMOS & RS-422 DATA OPTICAL LINK



FEATURES

- ❑ High Speed Duplex Data Transmission, DC – 5 Mb/sec
- ❑ Multimode and Singlemode Versions
- ❑ Isolates EMI, RFI, Ground Loops
- ❑ Surface Mount Technology
- ❑ Power and Signal Status Indicators
- ❑ 12 VDC or 24 VAC Power Supply

ECT014 system provides high performance link for bi-directional transmitting of two or four TTL/CMOS & RS-422 data signals over a fiber optic cable. The system features quality transmission of data signals with data rates DC – 5 Mb/sec. ECT014 system utilizes high-speed frequency modulation and very low noise transmission technology to assure high accuracy and stability.

| Operating Wavelength | 850 nm | 1300 nm | 1310/1550nm |
|------------------------|-----------|---------|-------------|
| Optical Core Diameter | 50μ/62.5μ | | 8/10μ |
| Optical Power Source | VCSEL | LED | Laser |
| Optical Power Output* | -3 dBm | -14 dBm | -4 dBm |
| Receiver Sensitivity | -30 dBm | -34 dBm | -36 dBm |
| Receiver Sensitivity** | -29 dBm | -33 dBm | -35 dBm |
| Optical Connectors | ST, SC | | ST, SC, FC |

* with +/- 1 dBm variation; higher power laser sources are available per special request;

** for configuration with internal WDM.

ORDERING INFORMATION

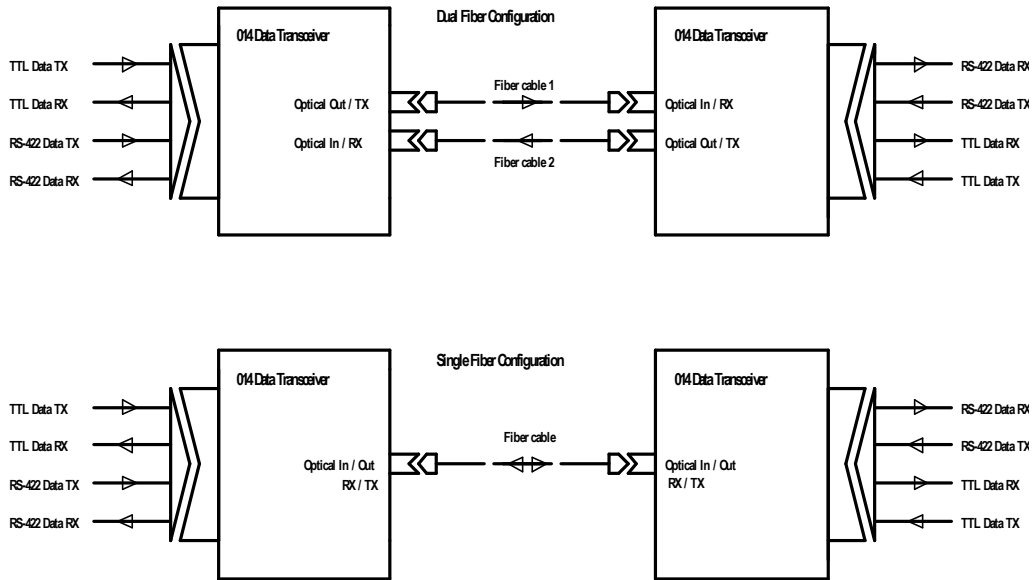
014E-N/DX2-XYZ

- E** = **M** for multimode
 = **M(13)** for multimode 1300nm
 = **S** for single mode receiver or 1310nm transmitter
 = **SP** for high power (0 dBm) 1310nm transmitter option
 = **S(15)** for single mode 1550nm transmitter
 = **S(15)P** for high power (0 dBm) 1550nm transmitter option
 = **SD, SPD, S(15)D, S(15)PD** for DFB lasers option
- N** = **2** for 4 ch. card-module or rack card*
- X** = **M** for standalone module
 = **C** for rack card*
- Y** = **1, 2** number of fibers for standalone module
 = **2, 4** number of fibers for rack card
- Z** = **ST, SC, FC** for optical connectors

*compatible with USR type chassis

| | |
|---|--|
| Channel Capacity | 1Ch. TTL/CMOS & 1Ch. RS-422 for standalone module 2Ch. TTL/CMOS & 2Ch. RS-422 for rack card or standalone card-module |
| Data Rate | DC – 5 Mb/sec |
| Data Input Impedance | 22 kOhm unbalanced for TTL/CMOS 120 Ohm balanced for RS-422 |
| Data Interface | TTL/CMOS & RS-422 |
| Data Connector | RJ45 |
| Power Requirements: | |
| 2Ch. Module | 11 - 14 VDC @ 200 mA 21 - 27 VAC @ 150 mA |
| 4Ch. Card / Module | 11 - 14 VDC @ 400 mA |
| Power Connector: | |
| Module | Terminal Block with Plug, 3 pos. |
| Card-Module | Screw Terminal, 2 pos. |
| Operating Temperature | -20°C to +70°C (-4°F to +158°F) |
| Dimensions: | |
| 2Ch. Module | 6.86"(172mm) x 4.95"(126mm) x 1.4"(36mm) |
| 4Ch. Card / Module (w/o connectors) | 11.6"(270mm) x 5.2"(132mm) x 1.05"(27mm) |
| 4Ch. Card / Module (with connectors) | 12.5"(318mm) x 5.2"(133mm) x 1.05"(27mm) |





014 Data Link Communication Diagram

Note: The specifications are subject to change without notice.

