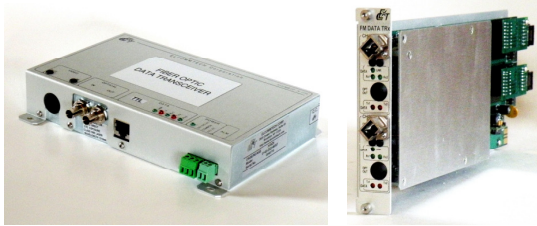


ECT013 TWO/FOUR CHANNEL TTL/CMOS & RS-232 DATA OPTICAL LINK



FEATURES

- ❑ High Speed Duplex Data Transmission, DC – 5 Mb/sec
- ❑ Multimode and Singlemode Versions
- ❑ Isolates EMI, RFI, Ground Loops
- ❑ Surface Mount Technology
- ❑ Power and Signal Status Indicators
- ❑ 12 VDC or 24 VAC Power Supply

ECT013 system provides high performance link for bi-directional transmitting of two or four TTL/CMOS & RS-232 data signals over a fiber optic cable. The system features quality transmission of data signals with data rates DC – 5 Mb/sec. ECT013 system utilizes high-speed frequency modulation and very low noise transmission technology to assure high accuracy and stability.

Operating Wavelength	850 nm	1300 nm	1310/1550nm
Optical Core Diameter	50μ/62.5μ		8/10μ
Optical Power Source	VCSEL	LED	Laser
Optical Power Output*	-3 dBm	-14 dBm	-4 dBm
Receiver Sensitivity	-30 dBm	-34 dBm	-36 dBm
Receiver Sensitivity**	-29 dBm	-33 dBm	-35 dBm
Optical Connectors	ST, SC		ST, SC, FC

* with +/- 1 dBm variation; higher power laser sources are available per special request;

** for configuration with internal WDM.

ORDERING INFORMATION

013E-N/DX2-XYZ

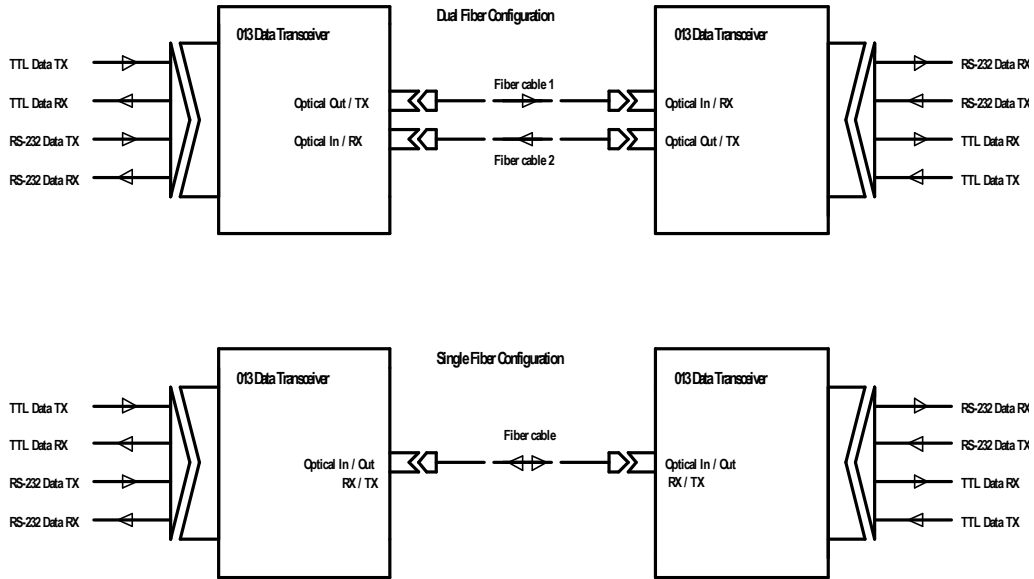
- E** = **M** for multimode
 = **M(13)** for multimode 1300nm
 = **S** for single mode receiver or 1310nm transmitter
 = **SP** for high power (0 dBm) 1310nm transmitter option
 = **S(15)** for single mode 1550nm transmitter
 = **S(15)P** for high power (0 dBm) 1550nm transmitter option
 = **SD, SPD, S(15)D, S(15)PD** for DFB lasers option
- N** = **2** for dual 4 ch. card-module or rack card*
- X** = **M** for standalone module
 = **C** for rack card*
- Y** = **1, 2** number of fibers for standalone module
 = **2, 4** number of fibers for rack card
- Z** = **ST, SC, FC** for optical connectors

*compatible with USR type chassis

Channel Capacity	1Ch. TTL/CMOS & 1Ch. RS-422 for standalone module 2Ch. TTL/CMOS & 2Ch. RS-422 for rack card or standalone card-module
Data Rate:	DC – 5 Mb/sec
Data Input Impedance	22 kOhm unbalanced for TTL/CMOS > 5 K unbalanced for RS-232
Data Interface	TTL/CMOS & RS-232
Data Connector	RJ45
Power Requirements:	
2Ch. Module	11 - 14 VDC @ 200 mA 21 - 27 VAC @ 150 mA
4Ch. Card / Module	11 - 14 VDC @ 400 mA
Power Connector:	
Module	Terminal Block with Plug, 3 pos.
Card-Module	Screw Terminal, 2 pos.
Operating Temperature	-20°C to +70°C (-4°F to +158°F)
Dimensions:	
2Ch. Module	6.86"(172mm) x 4.95"(126mm) x 1.4"(36mm)
4Ch. Card / Module (w/o connectors)	11.6"(270mm) x 5.2"(132mm) x 1.05"(27mm)
4Ch. Card / Module (with connectors)	12.5"(318mm) x 5.2"(133mm) x 1.05"(27mm)



Elcommtech Corp. 2620 Ocean Parkway, Suite 4H, Brooklyn, NY 11235
 Tel (718) 743-2869 • Fax (718)648-3642 • E-mail sales@elcommtech.com
<http://www.elcommtech.com>



013 Data Link Communication Diagram

Note: The specifications are subject to change without notice.

