

Specifications

Optical Performance

Fiber Type	Multimode	Singlemode
Optical Core Diameter	50 μ or 62.5 μ	8/10 μ
Operating Wavelength	850 nm	1310/1550 nm
Optical Power Source	Laser (VCSEL)	Laser
Optical Power Output	-4 dBm	-4 dBm
Receiver Sensitivity	-18 dBm	-21 dBm
Optical Connectors	ST, SC	FC, ST or SC
Maximum Length of Fiber	1 km	20 km

Video Performance

Video Bandwidth @1dB	7 MHz
Video Input	75 Ω balanced
Video Input Level	NTSC: 1.0 V p-p, PAL: 1.3 V p-p
Signal-to-Noise Ratio	64 dB*
Differential Gain	< 0.5 %
Differential Phase	< 0.5 °
Field Tilt	< 0.5 %
Luminance Non-Linearity	< 0.5 %
Chrominance/Luminance Delay	< 20ns
K-2T Factor	< 1.0 %

Audio Performance

Audio Bandwidth @ 3dB	20 Hz - 20 kHz
Audio Input	600 Ohm or 10 kOhm balanced/unbalanced
Audio Input Level (max)	+18 dBm
Audio Output Level (max)	+18 dBm/balanced or +12 dBm/unbalanced
Audio THD	< 0.05 %
Audio S/N Ratio (weighted)	< 90 dB

Data Interface

Data Format	RS-232, RS-422, TTL/CMOS (optional)
Data Rate	Up to 1.6 Mbit/sec

Electromechanical & Environmental

Power Requirements	12V DC @ 0.7 A
Operating Temperature	-30°C to +70°C (-22°F to +158°F)
Dimensions	11.55"(293 mm) x 5.23"(133 mm) x 2.0"(50.8 mm)

ECT5484

**Fiber Optic
Digital Video, Audio & Data
Multiplexer/Demultiplexer**

Single Fiber Operation

Elcommtech Corp.
2620 Ocean Parkway, Suite 4H
Brooklyn NY 11235
(718)743-2869 Fax: (718)648-3642
E-Mail: sales@elcommtech.com
Internet: <http://www.elcommtech.com>

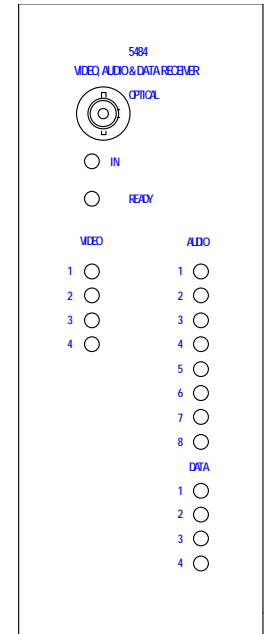
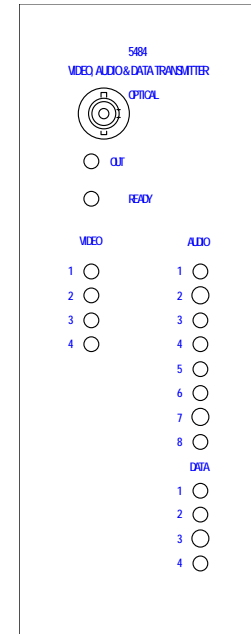
Introduction :

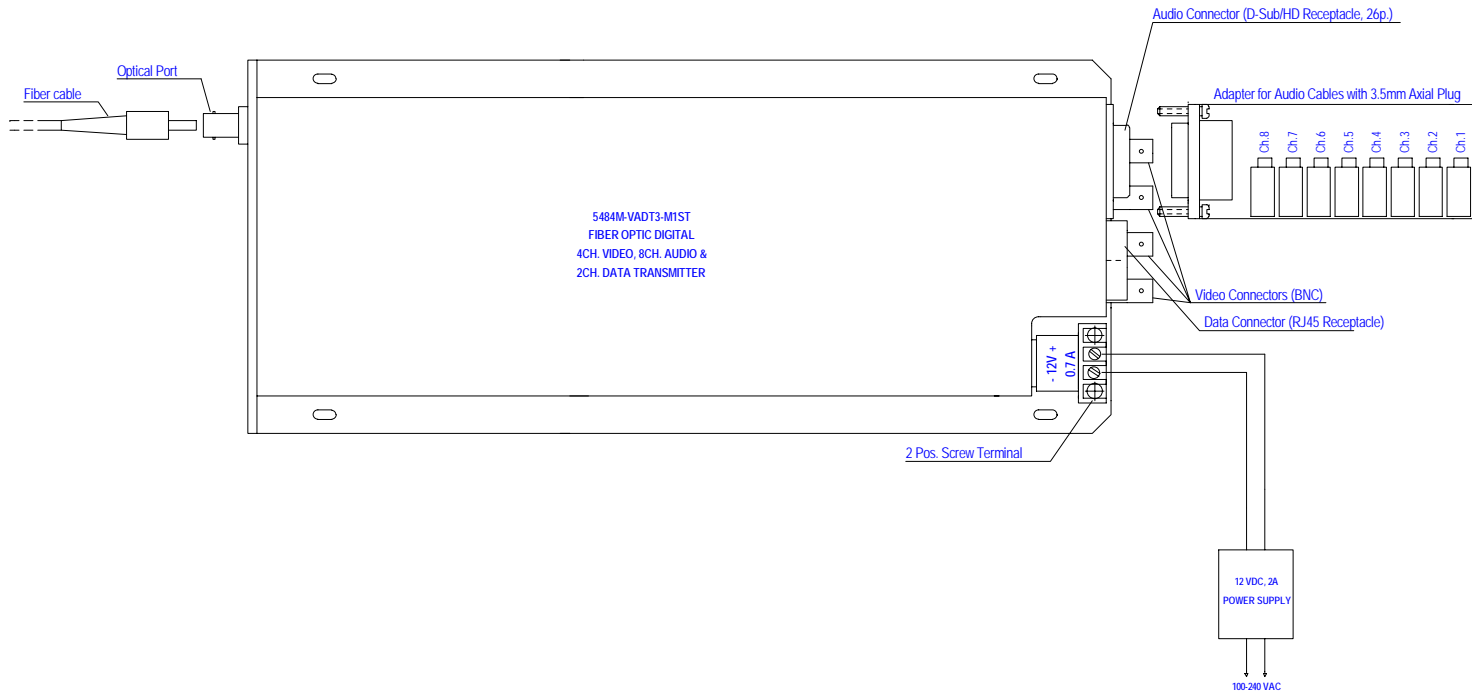
The ECT5484 system provides a high performance link for transmitting up to four unidirectional composite video signals, 4 Hi-Fi stereo (8 mono) audio channels and 4 multiformat data channels over a single fiber optic cable per single wavelength.
ECT5484 utilizes high speed analog-to-digital and digital-to-analog conversion, digital signal processing, time division multiplexing/demultiplexing and fiber optic transmission.

Indicators : All indicators are located on the front of the units.

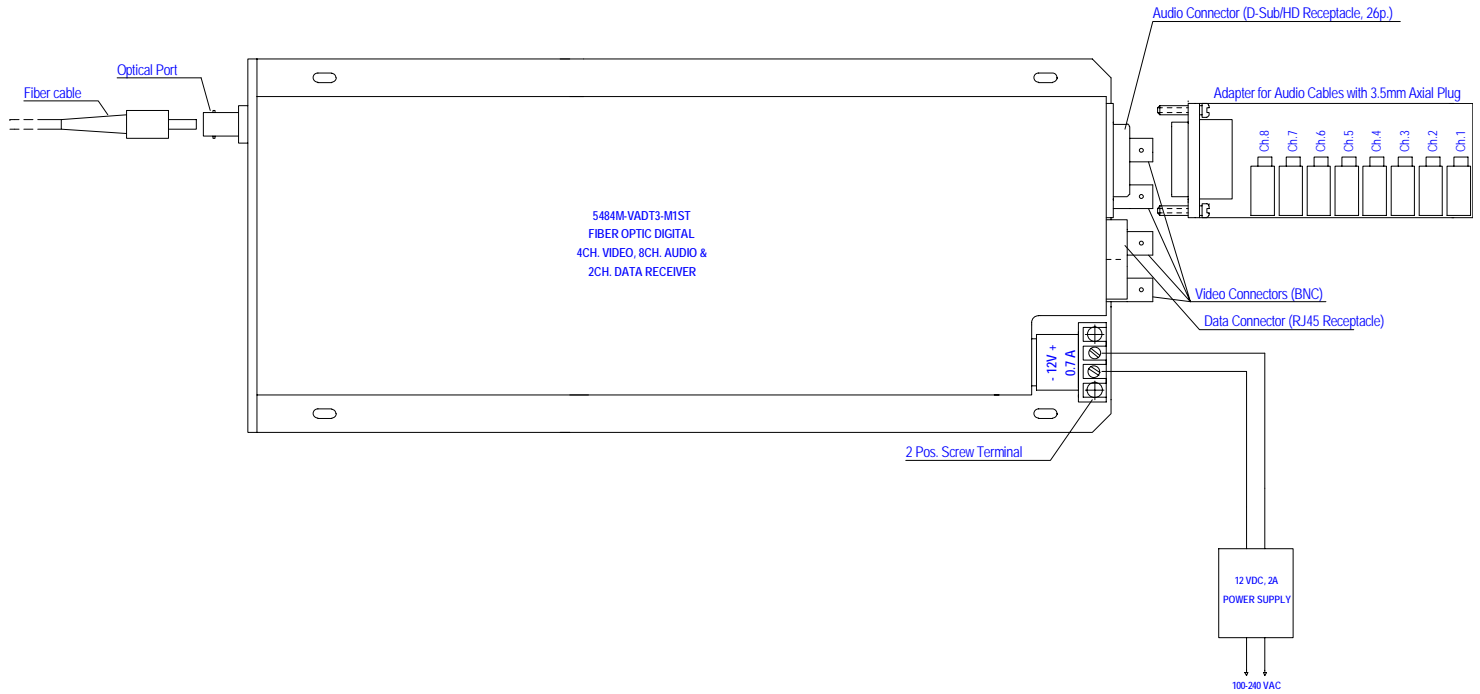
Indicator	Status	Description
Optical In / Out	red	Transmitter: laser is not operational Receiver: serial data is not present on the input
	green	Transmitter: laser is operational Receiver: serial data is present on the input
Ready	red	Transmitter: serializer is not operational Receiver: deserializer has not captured serial data stream
	green	Transmitter: serializer is operational Receiver: deserializer has captured serial data stream
Video Transmitter (Ch.1 - Ch.4)	red	Video signal is not present
	green	Video signal is present
Video Receiver (Ch.1 - Ch.4)	off	Video signal is not present
	red	Video sync is present
	green	Complete video signal is present
Audio (Ch.1 - Ch.8)	off	Audio signal is not present
	green	Audio signal is present
	red	Audio signal is out of range
Data (Ch.1 - Ch.4)	off	Data signal is not present
	green	Data signal is present

5484 Front Panels





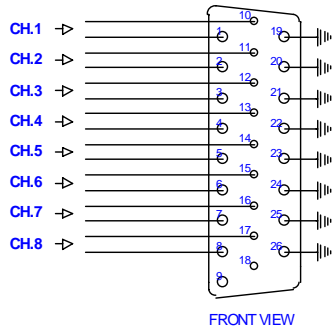
5484 Digital 4Ch. Video, 8Ch. Audio & 2Ch. Data Transmitter
Connections Diagram



5484 Digital 4Ch. Video, 8Ch. Audio & 2Ch. Data Receiver
Connections Diagram

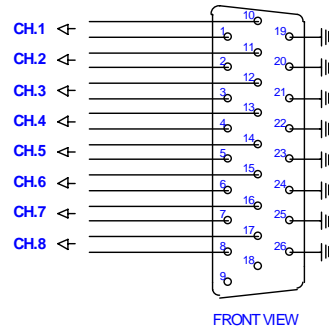
AUDIO TRANSMITTER CONNECTOR D-SUB/HD-26p.

8 BALANCED/ UNBALANCED INPUTS



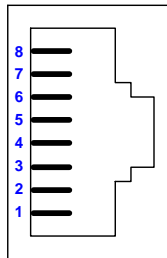
AUDIO RECEIVER CONNECTOR D-SUB/HD-26p.

8 BALANCED OUTPUTS



DATA TRANSMITTER CONNECTOR RJ45

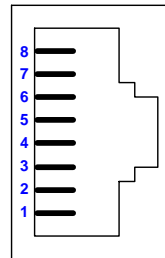
FRONT VIEW



	CONT.#	RS-422	RS-232 TTL/CMOS
CHANNEL 1	8	IN-	GND
	7	IN+	IN
CHANNEL 2	6	IN-	GND
	5	IN+	IN
CHANNEL 3	4	IN-	GND
	3	IN+	IN
CHANNEL 4	2	IN-	GND
	1	IN+	IN

DATA RECEIVER CONNECTOR RJ45

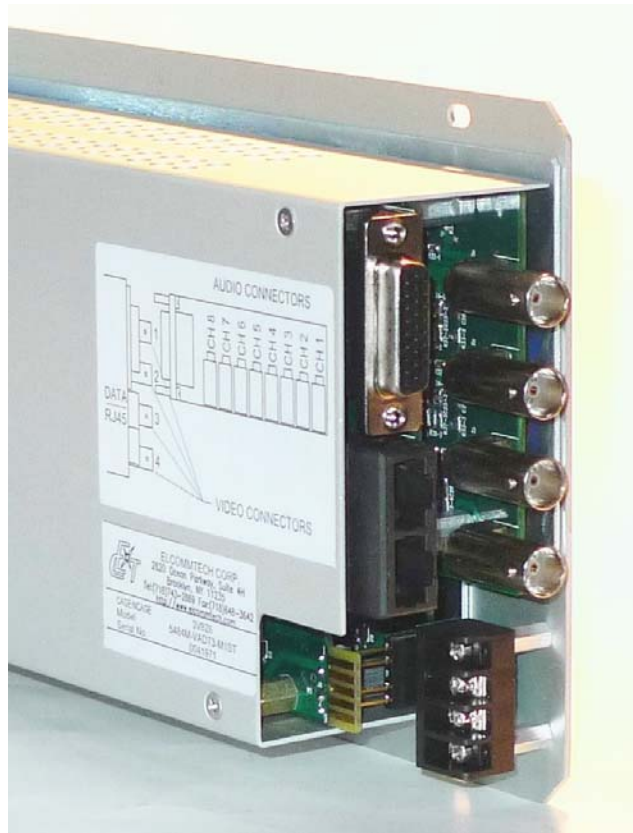
FRONT VIEW



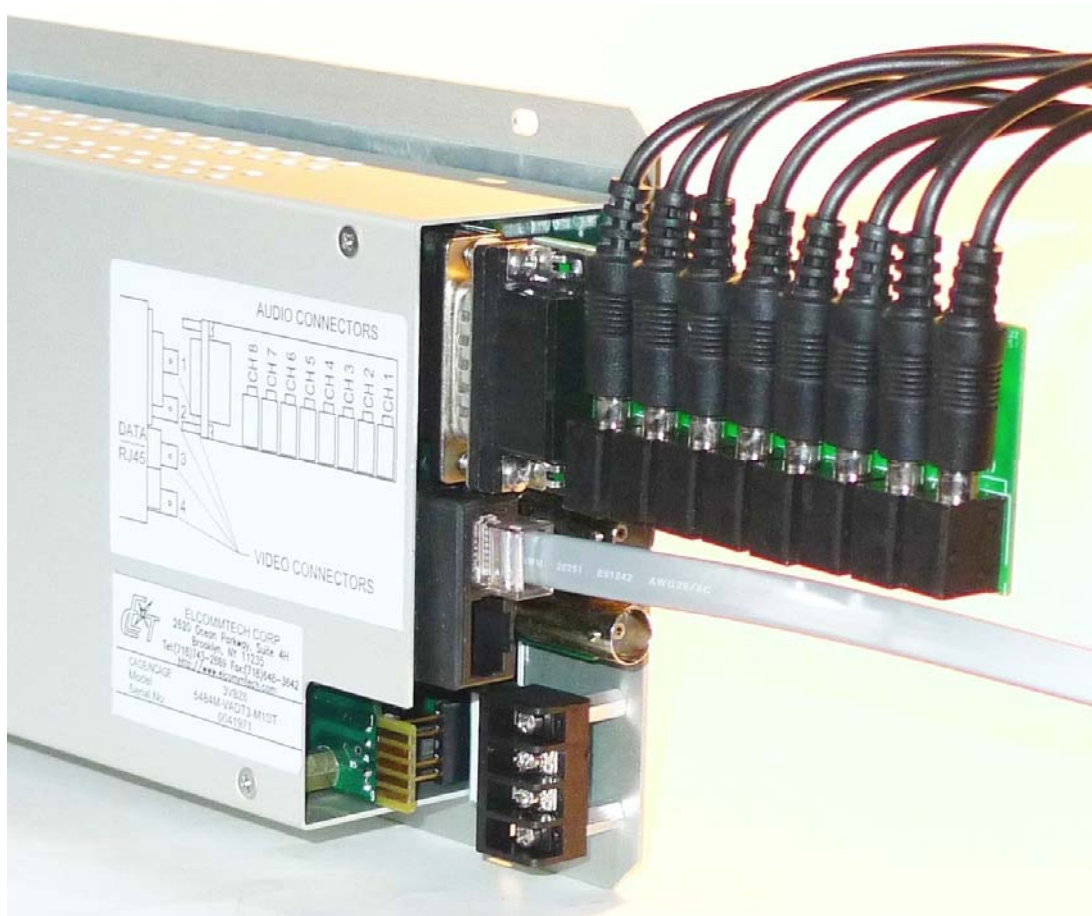
	CONT.#	RS-422	RS-232 TTL/CMOS
CHANNEL 1	8	OUT-	GND
	7	OUT+	OUT
CHANNEL 2	6	OUT-	GND
	5	OUT+	OUT
CHANNEL 3	4	OUT-	GND
	3	OUT+	OUT
CHANNEL 4	2	OUT-	GND
	1	OUT+	OUT



5484 Front view



5484 connectors side view



5484 audio & data connectors with adapter & cables