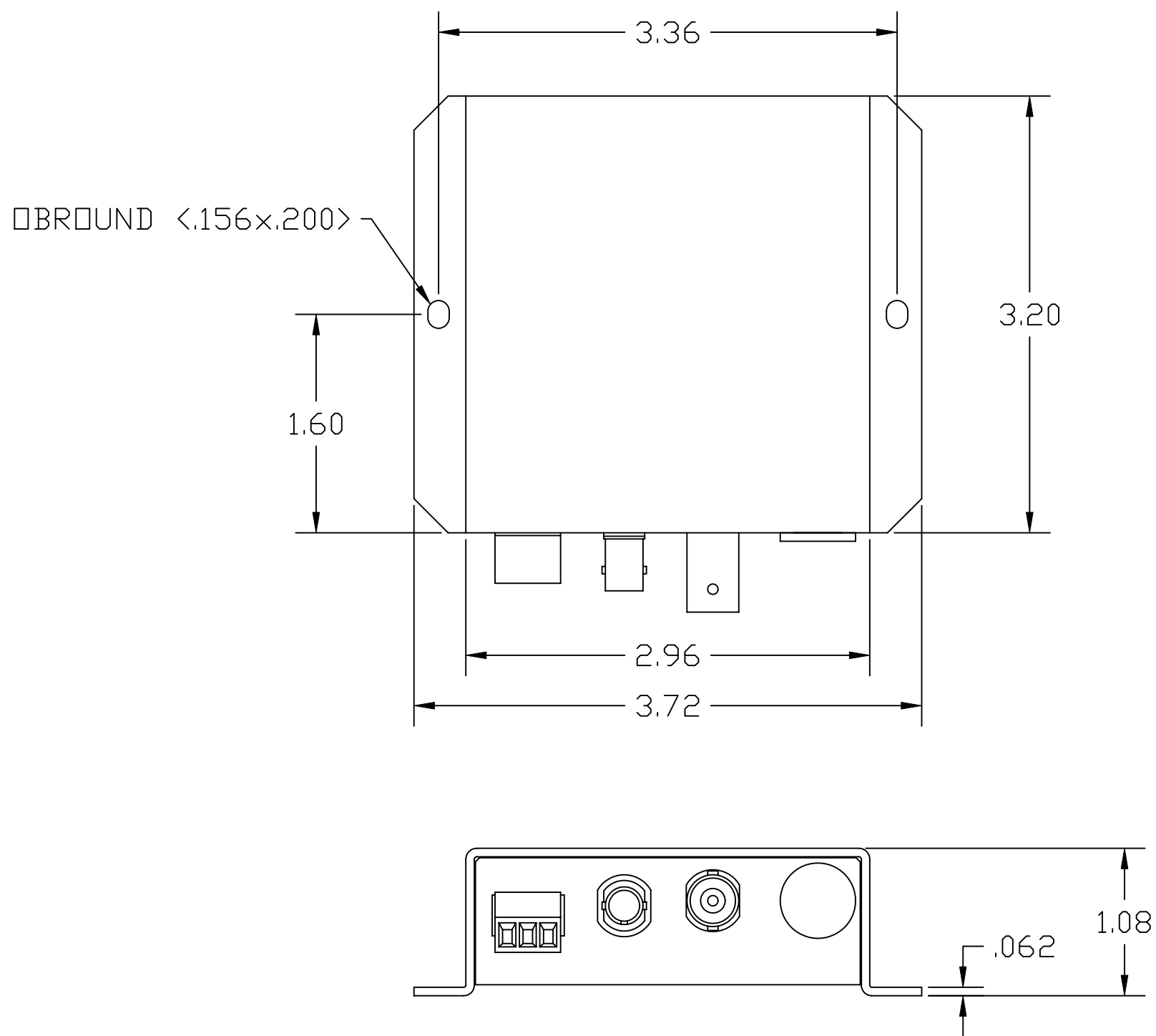


| REVISION | | |
|----------|-----|------------|
| ISSUE | ECD | APPR./DATE |
| | | |



Confidential property of ELCOMMTECH CORP., not to be disclosed to others, reproduced or used for any purpose, except as authorized in writing by ELCOMMTECH CORP. Must be returned to ELCOMMTECH CORP. upon demand, completion of order or purpose for which lent.

| | | | | | | |
|---|---|----|----------|-----------|----------------|--------------|
| Material: | ELCOMMTECH CORP. | | | | | |
| UNLESS OTHERWISE SPECIFIED DIMENSIONS ARE IN INCHES Unless otherwise specified tolerances are: Decimals: .xx ± .01 .xxx ± .005 Fractions: ± 1/64" Angles: ± 1/2° | TITLE ECT100 FM VIDEO TX INSTALLATION DRAWING | | | | | |
| | Approvals | | Date | Size | Drawing | Rev. |
| | Designer | AL | 8 OCT/02 | B | 100 FM TX INST | |
| | Drawn by | AL | | Scale 1:1 | FILE: | Sheet 1 of 1 |
| Checked by | VL | | Used on: | | | |
| Finish: | Engr. | YL | | | | |