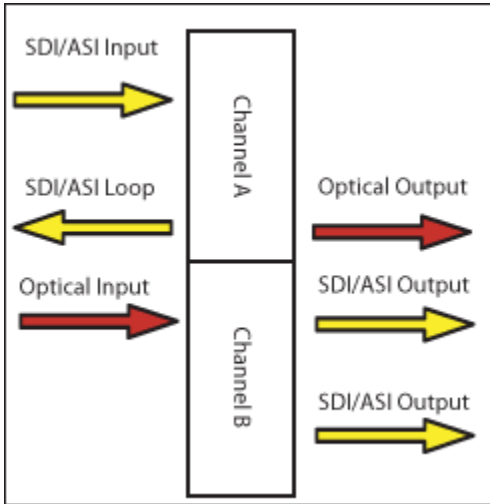


## ECT3200

### SDI/ASI Fiber Optic Dual Fiber Transceiver Card.



#### Video specs

SDI/ASI Input/Output  
Video Format: BNC 75R 300m  
Cable Equalisation  
Video Compliance: ANSI/SMPTE 259M and DVB-ASI  
Loop Out: Active Loopout  
Loop Out Connector: BNC 75R @ 800mV p-p  
Loop Out Format: SMPTE 259M and DVB-ASI

#### Audio/Data Specs

Passes Embedded Audio

#### Optical Specs

Singlemode  
Optical Wavelength: 1310nm  
Optical Performance: Output Power typical -6dB; Receiver Sensitivity -3dB to -30dB typical  
Optical Connectors: FC/PC, ST, SC

#### General Specs

Depth: 60mm  
Width: 20mm 4TE  
Height: 100mm (3RU)  
Weight: 130g  
Operating Temperature: -30 C to +70 C  
MTTF @60°C: 69x10E5 hours  
Power Supply: 5.8V DC @ 420mA  
Signal Detect: LED On for loss of Signal

#### Options/ Ordering Information

ECT3200-M-13 Multimode 1310nm  
ECT3200-S-13 Singlemode 1310nm  
ECT3200-S-15 Singlemode 1550nm  
ECT3200CWDM ITU Grid CWDM Wavelengths

