

## ECT222

# FM VIDEO AND 2 CHANNEL FM AUDIO BI-DIRECTIONAL OPTICAL LINK



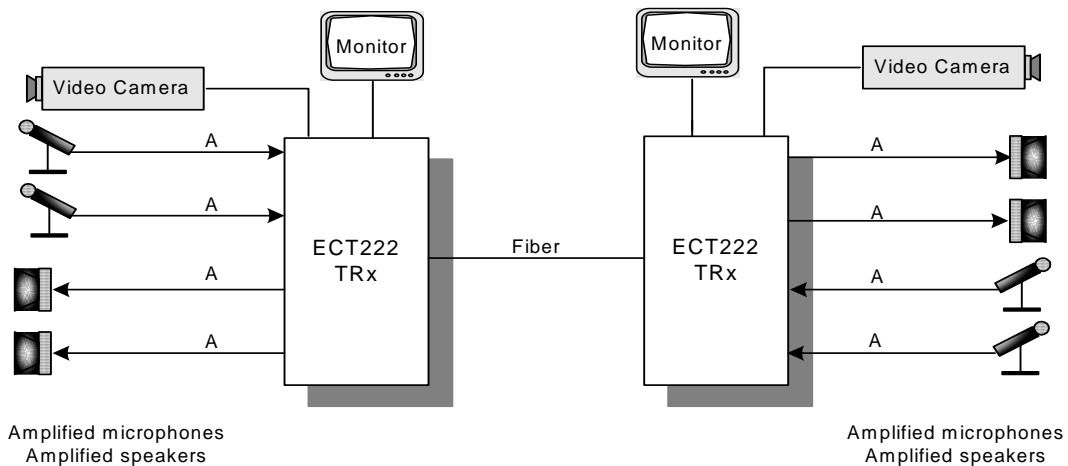
### FEATURES

- \* CCTV Professional Video & Audio Quality
- \* NTSC, PAL, SECAM Compatible
- \* Screw Terminal Block (3 pos. Plug) Audio Connectors
- \* ST, FC or SC Optical Connector
- \* Balanced Video Input
- \* Up to 4 km/2.5mi on 850nm multimode;
- \* Up to 12 km/7.5mi on 1300nm multimode;
- \* Up to 40km/25mi on 1310nm singlemode;
- \* Up to 65km/40mi on 1550nm singlemode;
- \* No User Adjustments
- \* Status Monitor LEDs

### APPLICATIONS

- \* Videoconferencing and Media Broadcasting
- \* Security and Surveillance
- \* Campus Media Retrieval/Distance Learning
- \* Studio Applications

### LAYOUT DIAGRAM



## SPECIFICATIONS

### Video Performance

Video Input Impedance	75 Ohm, balanced
Video In/Output Voltage	1.0V p-p typ, 1.5V max
Frequency Response @ 1dB	10Hz to 6.5MHz
Differential Gain (10-90% APL)	< 2% typ
Differential Phase (10-90% APL)	< 2° typ
Signal to Noise Ratio	67dB (weighted)

### Audio Performance

Audio Input Impedance	600 Ohm or 10K, balanced,
Audio In/Output Level	0dBm @ 600 Ohm or 10K +18dBm @ 10K
Frequency Response @ 3dB	20Hz to 20kHz
Distortions	< 1.5%
Signal to Noise Ratio	> 65dB (weighted)

### General Parameters

Operating Temperature	- 30°C to +70°C
Storage Temperature	- 40°C to +85°C
Operating Humidity	0 to 95% non-condensing
Weight	453g (1lb)
Dimensions (module)	156mm (6.15") L, 84mm (3.3") W, 62mm (2.42") H
Power (optional)	
option 1	6 - 7 VDC, 0.5A
option 2	10 - 15 VDC, 0.38A
Mean Time Between Failures (MTBF)	>100,000Hrs.

### Optical Performance

Operating Wavelength	850nm	1300nm		1310 and/or 1550nm
Transmitter Optical Source	Laser	LED		Laser
Fiber Type	50/125 $\mu$ or 62.5/125 $\mu$	50/125 $\mu$	62.5/125 $\mu$	Singlemode
Transmitter Output Power	-8 dBm	-17 dBm	-14 dBm	-8 dBm
Receiver Sensitivity (2 fiber)	-32 dBm	-34 dBm		-34 dBm
Optical Loss Budget (2 fiber)	24 dB	17 dB	20 dB	26 dB
Receiver Sensitivity (1 fiber)	-30 dBm @ 850nm			-32 dBm
Optical Loss Budget (1 fiber)	22 dB @ 850nm			24 dB

## ORDERING INFORMATION

222E-VAX-M(P)YZ – standalone module

222E-VAX-CYZ – rack card\*

- E = M for multimode
- = M(13) for multimode 1300nm only
- = S for single mode
- = S(15) for single mode 1550nm only
- P = 6.5, 12 for power option (for module only)
- Y = 1, 2 for number of fibers
- Z = FC connector
- = ST connector
- = SC connector

\*Compatible with USR series chassis



Elcommtech Corp. 2620 Ocean Parkway, Suite 4H, Brooklyn, NY 11235  
 Tel (718) 743-2869 • Fax (718)648-3642 • E-mail [sales@elcommtech.com](mailto:sales@elcommtech.com)  
<http://www.elcommtech.com>