

## ECT220(4)

# DUAL CHANNEL FM VIDEO AND 4-CHANNEL FM AUDIO OPTICAL LINK



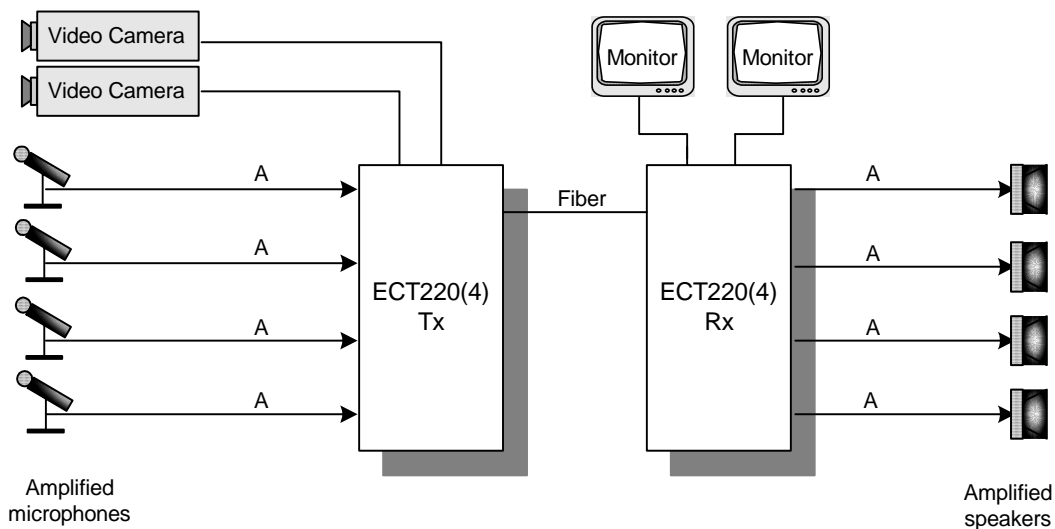
### FEATURES

- \* CCTV Professional Video & Audio Quality
- \* NTSC, PAL, SECAM Compatible
- \* Screw Terminal Block (3 pos. Plug) Audio Connectors
- \* ST, FC, SC Optical Connector
- \* 2 Channels Video
- \* 4 Channels Audio
- \* Balanced Video Input
- \* Up to 4 km/2.5mi on 850nm multimode;
- \* Up to 12 km/7.5mi on 1300nm multimode;
- \* Up to 40km/25mi on 1310nm single mode;
- \* Up to 65km/40mi on 1550nm single mode;
- \* No User Adjustments
- \* Status Monitor LEDs

### APPLICATIONS

- \* Videoconferencing and Media Broadcasting
- \* Security and Surveillance
- \* Campus Media Retrieval/Distance Learning
- \* Studio Applications

### LAYOUT DIAGRAM



## SPECIFICATIONS

### Video Performance

Video Input Impedance	75 Ohm, balanced
Video In/Output Voltage	1.0V p-p typ, 1.5V max
Frequency Response @ 1dB	10Hz to 6.5MHz
Differential Gain (10-90% APL)	< 2% typ
Differential Phase (10-90% APL)	< 2° typ
Signal to Noise Ratio	67dB (weighted)

### Audio Performance

Audio Input Impedance	600 Ohm or 10K, balanced
Audio In/Output Level	0dBm @ 600 Ohm or 10K +18dBm @ 10K
Frequency Response @ 3dB	20Hz to 20kHz
Distortions	< 1.5%
Signal to Noise Ratio	> 65dB (weighted)

### General Parameters

Operating Temperature	- 30°C to +70°C
Storage Temperature	- 40°C to +85°C
Operating Humidity	0 to 95% non-condensing
Weight (module)	400g (14oz)
Weight (1 slot card)	370g (13oz)
Dimensions (module)	156mm (6.15") L, 84mm (3.3") W, 62mm (2.42") H
Power (optional)	
option 1	6 - 7 VDC, 0.45A
option 2	10 - 15 VDC, 0.38A
Mean Time Between Failures (MTBF)	>100,000Hrs.

### Optical Performance

Operating Wavelength	850nm	1300nm		1310 and/or 1550nm
Transmitter Optical Source	Laser	LED		Laser
Fiber Type	50/125μ or 62.5/125μ	50/125μ	62.5/125μ	Singlemode
Transmitter Output Power	-4 dBm	-17 dBm	-14 dBm	-8 dBm
Receiver Sensitivity (2 fiber)	-32 dBm	-34 dBm		-34 dBm
Optical Loss Budget (2 fiber)	24 dB	17 dB	20 dB	26 dB
Receiver Sensitivity (1 fiber)	-30 dBm @ 850nm			-32 dBm
Optical Loss Budget (1 fiber)	22 dB @ 850nm			24 dB

## ORDERING INFORMATION

220E-VAU4-M(P)YZ – standalone module

220E-VAU4-CYZ – rack card\*

- E = M for multimode
- = M(13) for multimode 1300nm only
- = S for single mode
- = S(15) for single mode 1550nm only
- U = T for transmitter, R for receiver
- P = 6.5, 12 for power option (for module only)
- Y = 1 for single fiber, 2 for dual fiber
- Z = FC connector
- = ST connector
- = SC connector

\*Compatible with USR series chassis



Elcommtech Corp. 2620 Ocean Parkway, Suite 4H, Brooklyn, NY 11235  
 Tel (718) 743-2869 • Fax (718)648-3642 • E-mail [sales@elcommtech.com](mailto:sales@elcommtech.com)  
<http://www.elcommtech.com>