

## ECT122 FM VIDEO AND TWO CHANNEL BI-DIRECTIONAL FM AUDIO OPTICAL LINK



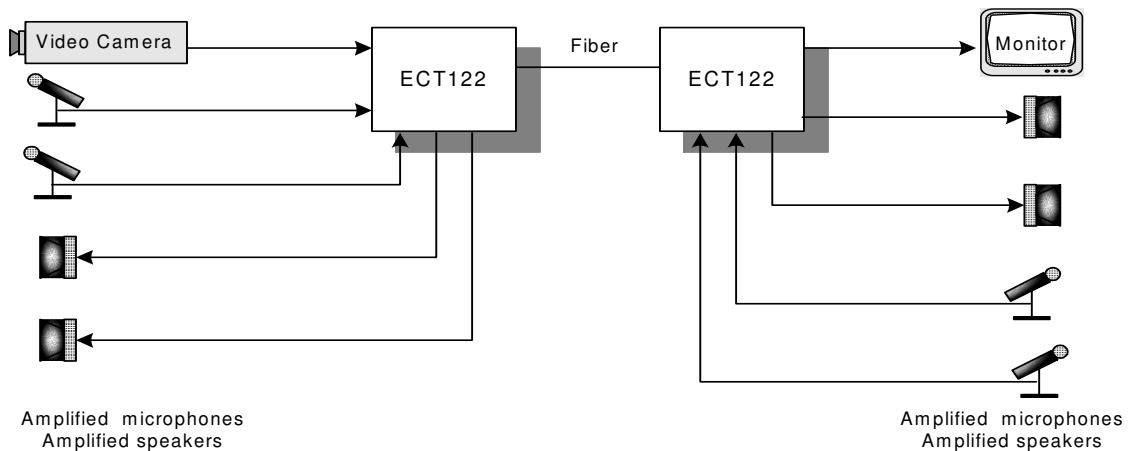
### FEATURES

- \* CCTV Professional Video & Audio Quality
- \* NTSC, PAL, SECAM Compatible
- \* Balanced Video Input
- \* BNC I/O Video Connector
- \* Screw Terminal Block (3 pos. Plug) Audio Connectors
- \* ST, FC, SC Optical Connector
- \* Video and 2 Duplex Channels Audio
- \* No User Adjustments
- \* Status Monitor LEDs

### APPLICATIONS

- \* Security and Surveillance
- \* Video Teleconferencing
- \* Campus Media Retrieval/Distance Learning
- \* Telemedicine

### LAYOUT DIAGRAM



## SPECIFICATIONS

### Video Performance

Video Input Impedance	75 Ohm, balanced
Video In/Output Voltage	1.0V p-p typ, 1.5V max
Frequency Response @ 1dB	10Hz to 6.5MHz
Differential Gain (10-90% APL)	< 3% typ
Differential Phase (10-90% APL)	< 3° typ
Signal to Noise Ratio	67dB (weighted)

### Audio Performance

Audio Input Impedance	600 Ohm or 10K, balanced or unbalanced
Audio Input Level	up to +8 dBm* or up to +18 dBm
Audio Output Level	up to +8 dBm @ 600 Ohm or 10K balanced or unbalanced up to +18dBm @ 10K, balanced
Frequency Response @ 3dB	20Hz to 20kHz
Distortions	< 1.5%*
Signal to Noise Ratio	> 64dB (weighted)*

\* measured with 1km / 62.5μ cable and audio level 0 dBm @ 600 Ohm.

### General Parameters

Operating Temperature	- 30°C to +70°C
Storage Temperature	- 40°C to +85°C
Operating Humidity	0 to 95% non-condensing
Weight	670g (1.5lb)
Dimensions (module)	156mm (6.15") L, 84mm (3.3") W, 62mm (2.42") H
Power (optional)	
option 1	6 - 7 VDC, 0.45A
option 2	10 -15 VDC, 0.3A
Mean Time Between Failures (MTBF)	>100,000Hrs.

### Optical Performance

Operating Wavelength	850nm	1300nm		1310 and/or 1550nm
Transmitter Optical Source	Laser	LED		Laser
Fiber Type	50/125μ or 62.5/125μ	50/125μ	62.5/125μ	Singlemode
Transmitter Output Power (+/- 1dBm)	-7 dBm	-17 dBm	-14 dBm	-7 dBm
Receiver Sensitivity (2 fiber)	-29 dBm	-32 dBm		-33 dBm
Optical Loss Budget (2 fiber)	22 dB	15 dB	18 dB	26 dB
Receiver Sensitivity (1 fiber)	-28 dBm @ 850nm			-32 dBm
Optical Loss Budget (1 fiber)	21 dB @ 850nm			25 dB

## ORDERING INFORMATION

**122E-VU/AX-M(P)YZ** – standalone module

**122E-VU/AX-CYZ** – rack card\*

- E** = **M** for multimode
- = **M(13)** for multimode 1300nm only
- = **S, SP\*\*** for single mode 1310nm
- = **S(15), S(15)P\*\*** for single mode 1550nm
- U** = **T** for video transmitter, **R** for receiver
- P** = **12** for 10-15VDC power option
- Y** = **1,2** for number of fibers
- Z** = **FC** connector
- = **ST** connector
- = **SC** connector

\* Compatible with USR series chassis

\*\* For high power (0 dBm) laser source options.

**Note:** The specifications are subject to change without notice.



Elcommtech Corp. 2620 Ocean Parkway, Suite 4H, Brooklyn, NY 11235  
 Tel (718) 743-2869 • Fax (718)648-3642 • E-mail [sales@elcommtech.com](mailto:sales@elcommtech.com)  
<http://www.elcommtech.com>