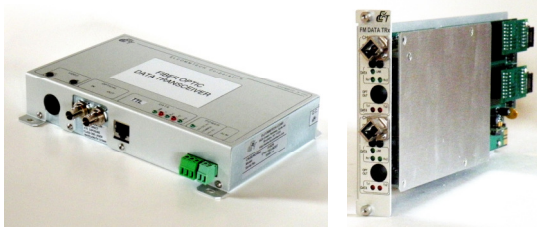


ECT034 TWO/FOUR CHANNEL RS-232 & RS-422 DATA OPTICAL LINK



FEATURES

- ❑ High Speed Duplex Data Transmission, DC – 5 Mb/sec
- ❑ Multimode and Singlemode Versions
- ❑ Isolates EMI, RFI, Ground Loops
- ❑ Surface Mount Technology
- ❑ Power and Signal Status Indicators
- ❑ 12V AC/DC or 24VAC Power Supply

ECT034 system provides high performance link for bi-directional transmitting of two or four RS-232 & RS-422 data signals over a fiber optic cable.

The system features quality transmission of data signals with data rates DC – 5 Mb/sec.

ECT034 system utilizes high-speed frequency modulation and very low noise transmission technology to assure high accuracy and stability.

Operating Wavelength	850 nm	1300 nm	1310/1550nm
Optical Core Diameter	50µ/62.5µ		8/10µ
Optical Power Source	VCSEL	LED	Laser
Optical Power Output*	-3 dBm	-14 dBm	-6 dBm
Receiver Sensitivity	-30 dBm	-34 dBm	-36 dBm
Receiver Sensitivity**	-29 dBm	-33 dBm	-35 dBm
Optical Connectors	ST, SC		ST, SC, FC

* with +/- 1 dBm variation; higher power laser sources are available per special request;

** for configuration with internal WDM.

ORDERING INFORMATION

034E-N/DX2-XYZ

- E = M for multimode
- = M(13) for multimode 1300nm
- = S for single mode receiver or 1310nm transmitter
- = SP for high power (0 dBm) 1310nm transmitter option
- = S(15) for single mode 1550nm transmitter
- = S(15)P for high power (0 dBm) 1550nm transmitter option
- = SD, SPD, S(15)D, S(15)PD for DFB lasers option
- N = 2 for 4 ch. card-module or rack card*
- X = M for standalone module
- = C for rack card*
- Y = 1, 2 number of fibers for standalone module
- = 2, 4 number of fibers for rack card
- Z = ST, SC, FC for optical connectors

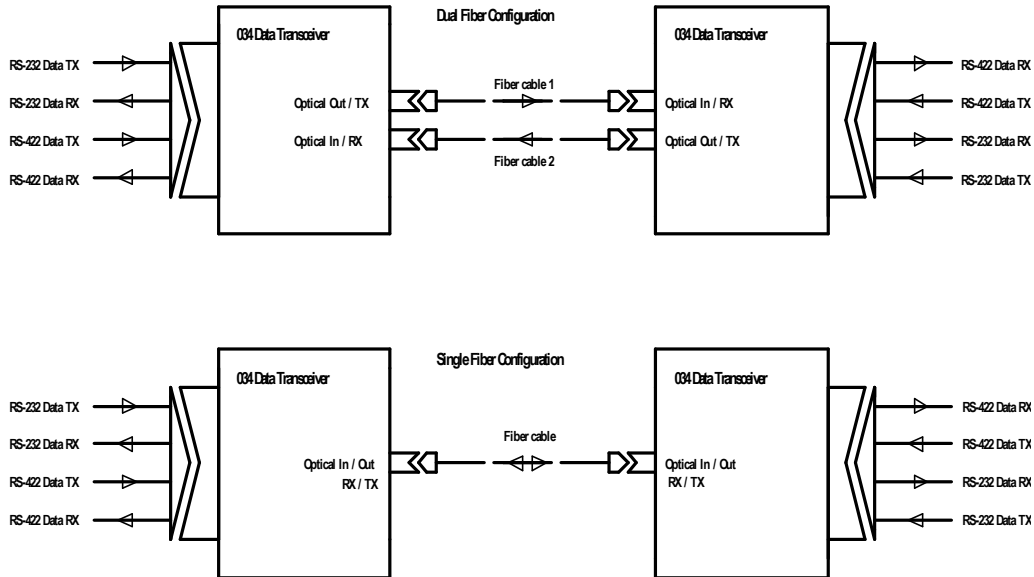
*compatible with USR type chassis

Channel Capacity	1Ch. TTL/CMOS & 1Ch. RS-422 for standalone module 2Ch. TTL/CMOS & 2Ch. RS-422 for rack card or standalone card-module
Data Rate	DC – 5 Mb/sec
Data Input Impedance	>5 K unbalanced for RS-232 120 Ohm balanced for RS-422
Data Interface	RS-232 & RS-422
Power Requirements:	
2Ch. Module	11 - 14 VAC/VDC @ 200 mA 21 - 27 VAC @ 150 mA
4Ch. Card / Module	11 - 14 VDC @ 400 mA
Operating Temperature	-30°C to +70°C (-22°F to +158°F)
Dimensions:	
2Ch. Module	6.86"(172mm) x 4.95"(126mm) x 1.4"(36mm)
4Ch. Card / Module (w/o connectors)	11.6"(270mm) x 5.2"(132mm) x 1.05"(27mm)
4Ch. Card / Module (with connectors)	12.5"(318mm) x 5.2"(133mm) x 1.05"(27mm)

Note: The specifications are subject to change without notice.



Elcommtech Corp. 2620 Ocean Parkway, Suite 4H, Brooklyn, NY 11235
 Tel (718) 743-2869 • Fax (718)648-3642 • E-mail sales@elcommtech.com
<http://www.elcommtech.com>



034 Data Link Communication Diagram

